

## Scraper Blades

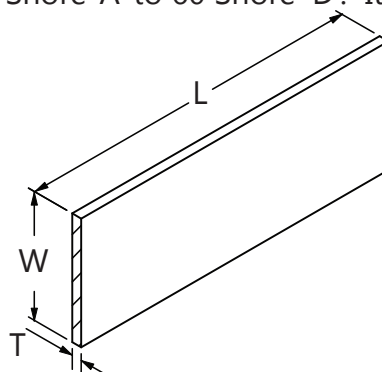


## Scraper Blades

Scraper blades are available in a shore hardness range of 45 Shore 'A' to 60 Shore 'D'. It is also available in Vulkollan®.

The standard colours available are; red, black, ochre, natural, green, blue, yellow and orange. Although some of these may be subject to additional charges dependant on the grading of the polyurethane.

Scraper blades are available in any size up to 2.8m x 500mm and up to 50mm thickness.



Please note that it is advisable to discuss your requirements with a member of our sales team prior to the ordering process as different polyurethane systems are better suited to certain jobs.

Part Number	Short Description	Size (mm)				
		L	x	W	x	T
CASCR001	1100 x 120 - 20mm	1100	x	120	x	20
CASCR002	2000 x 120 - 9.5mm	2000	x	120	x	9.5
CASCR003	750 x 100 - 15mm	750	x	100	x	15
CASCR004	450 x 120 - 30mm 3H	450	x	120	x	30
CASCR005	530 x 120 - 30mm 3H	530	x	120	x	30
CASCR006	570 x 120 - 30mm 3H	570	x	120	x	30
CASCR007	584 x 34 - 3mm	584	x	34	x	3
CASCR008	600 x 120 - 30mm Moulded	600	x	120	x	30
CASCR009	711 x 152 x 17mm	711	x	152	x	17
CASCR010	730 x 120 - 15mm	730	x	120	x	15
CASCR011	730 x 120 - 20mm	730	x	120	x	20
CASCR012	750 x 120 - 30mm Moulded	750	x	120	x	30
CASCR013	750 x 150 - 20mm	750	x	150	x	20
CASCR014	765 x 100 - 15mm	765	x	100	x	15
CASCR015	800 x 120 - 9.5mm	800	x	120	x	9.5
CASCR016	875 x 150 - 15mm	875	x	150	x	15
CASCR017	900 x 80 - 10mm	900	x	80	x	10
CASCR018	900 x 120 - 30mm 5H	900	x	120	x	30
CASCR019	930 x 120 - 30mm 6H	930	x	120	x	30
CASCR020	930 x 150 - 35mm 4H	930	x	150	x	35
CASCR021	1000 x 100 x 10mm	1000	x	100	x	10
CASCR022	1000 x 102 - 20mm	1000	x	102	x	20
CASCR023	1000 x 150 - 35mm 4H	1000	x	150	x	35
CASCR024	1000 x 200 - 10mm	1000	x	200	x	10
CASCR025	1050 x 120 - 30mm 6H	1050	x	120	x	30
CASCR026	1060 x 200 - 12mm	1060	x	200	x	12
CASCR027	1070 x 120 - 30mm 4H	1070	x	120	x	30

Vulkollan® is made under licence from Bayer AG

## Scraper Blades



## Scraper Blades

Part Number	Short Description	Size (mm)				
		L	x	W	x	T
CASCRO28	1100 x 70 - 10mm	1100	x	70	x	10
CASCRO29	1100 x 120 - 30mm 4H	1100	x	120	x	30
CASCRO30	1100 x 150 x 16mm	1100	x	150	x	16
CASCRO31	1127 x 120 - 30mm 4H	1127	x	120	x	30
CASCRO32	1200 x 125 - 9.5mm	1200	x	125	x	9.5
CASCRO33	1200 x 100 - 9mm	1200	x	100	x	9
CASCRO34	1210 x 120 - 9.5mm	1210	x	120	x	9.5
CASCRO35	48 x 3.5 - 0.375"	1219.2	x	88.9	x	9.525
CASCRO36	1220 x 102 - 16mm	1220	x	102	x	16
CASCRO37	1220 x 127 - 19mm	1220	x	127	x	19
CASCRO38	1220 x 152 - 12.7mm	1220	x	152	x	12.7
CASCRO39	1220 x 152 - 19mm	1220	x	152	x	19
CASCRO40	1320 x 127 - 10mm	1320	x	127	x	10
CASCRO41	1400 x 120 - 12mm	1400	x	120	x	12
CASCRO42	1400 x 125 - 9.5mm	1400	x	125	x	9.5
CASCRO43	1500 x 101.4 - 10mm	1500	x	101.4	x	10
CASCRO44	1500 x 150 - 12mm	1500	x	150	x	12
CASCRO45	1500 x 152 - 12.7mm	1500	x	152	x	12.7
CASCRO46	1510 x 150 - 9.5mm	1510	x	150	x	9.5
CASCRO47	1524 x 152 - 12.7mm	1524	x	152	x	12.7
CASCRO48	1525 x 150 - 20mm	1525	x	150	x	20
CASCRO49	1530 x 152 - 12.7mm	1530	x	152	x	12.7
CASCRO50	1600 x 120 - 12mm	1600	x	120	x	12
CASCRO51	1600 x 152 - 12.7mm	1600	x	152	x	12.7
CASCRO52	1625 x 120 - 20mm	1625	x	120	x	20
CASCRO53	1674 x 152 - 12.7mm	1674	x	152	x	12.7
CASCRO54	1680 x 150 - 9.5mm	1680	x	150	x	9.5
CASCRO55	1700 x 120 - 20mm	1700	x	120	x	20
CASCRO56	1700 x 152 - 12.7mm	1700	x	152	x	12.7
CASCRO57	1700 x 203 - 12mm	1700	x	203	x	12
CASCRO58	1760 x 152 - 20mm	1760	x	152	x	20
CASCRO59	1778 x 152 - 12.7mm	1778	x	150	x	12.7
CASCRO60	1780 x 102 - 16mm	1780	x	102	x	16
CASCRO61	1800 x 150 - 20mm	1800	x	150	x	20
CASCRO62	1830 x 102 - 12.7mm	1830	x	102	x	12.7
CASCRO63	1830 x 150 - 20mm	1830	x	150	x	20
CASCRO64	1830 x 152 - 12.7mm	1830	x	152	x	12.7
CASCRO65	1830 x 152 - 13mm	1830	x	152	x	13
CASCRO66	1840 x 100 - 20mm	1840	x	100	x	20
CASCRO67	1900 x 150 - 15mm	1900	x	150	x	15

Vulkollan® is made under licence from Bayer AG

Tel: 01594 847150 | Fax: 01594 843586

web: [www.wattspolyurethane.co.uk](http://www.wattspolyurethane.co.uk) | e-mail: [sales@wattspu.co.uk](mailto:sales@wattspu.co.uk)

## Scraper Blades



## Scraper Blades

Part Number	Short Description	Size (mm)				
		L	x	W	x	T
CASCR068	1830 x 120 - 12mm	1930	x	120	x	12
CASCR069	1930 x 450 - 12.7mm	1930	x	450	x	12.7
CASCR070	1980 x 152 - 12.7mm	1980	x	152	x	12.7
CASCR071	1982 x 127 - 12.7mm	1982	x	127	x	12.7
CASCR072	2000 x 90 - 28mm	2000	x	90	x	28
CASCR073	2000 x 112 - 12mm	2000	x	112	x	12
CASCR074	2000 x 125 - 20mm	2000	x	125	x	20
CASCR075	2000 x 150 - 13mm	2000	x	150	x	13
CASCR076	2000 x 150 - 20mm	2000	x	150	x	20
CASCR077	2000 x 150 - 20mm	2000	x	150	x	20
CASCR078	2000 x 200 - 8mm	2000	x	200	x	8
CASCR079	2000 x 325 - 20mm	2000	x	325	x	20
CASCR080	2030 x 152 - 12.7mm	2030	x	152	x	12.7
CASCR081	2047 x 100 - 20mm	2047	x	100	x	20
CASCR082	2055 x 100 - 10mm	2055	x	100	x	10
CASCR083	2055 x 100 - 20mm	2055	x	100	x	20
CASCR084	2065 x 152 - 12.7mm	2065	x	152	x	12.7
CASCR085	2083 x 102 - 12.7mm	2083	x	102	x	12.7
CASCR086	2083 x 152 - 20mm	2083	x	152	x	20
CASCR087	2130 x 152 - 12.7mm	2130	x	152	x	12.7
CASCR088	2134 x 120 - 12mm	2134	x	120	x	12
CASCR089	2300 x 120 - 20mm	2300	x	120	x	20
CASCR090	2362 x 127 - 12.7mm	2362	x	127	x	12.7
CASCR091	2400 x 80 - 20mm	2400	x	80	x	20
CASCR092	2400 x 100 - 12mm	2400	x	100	x	12
CASCR093	96 x 4.5 - 0.5"	2440	x	114	x	12.7
CASCR094	2440 x 127 - 19mm	2440	x	127	x	19
CASCR095	96 x 9 - 0.5"	2440	x	229	x	12.7
CASCR096	2450 x 152 - 12.7mm	2450	x	152	x	12.7
CASCR097	2500 x 100 - 15mm	2500	x	100	x	15
CASCR098	2500 x 150 - 12mm	2500	x	150	x	12
CASCR099	2500 x 150 - 16mm	2500	x	150	x	16
CASCR100	2500 x 200 - 12mm	2500	x	200	x	12
CASCR101	3000 x 100 - 20mm	3000	x	100	x	20
CASCR102	3000 x 102 - 11mm	3000	x	102	x	11
CASCR103	3000 x 150 - 20mm	3000	x	150	x	20
CASCR104	3000 x 152 - 11mm	3000	x	152	x	11
CASCR105	3000 x 200 - 10mm	3000	x	200	x	10
CASCR106	3600 x 100 - 10mm	3600	x	100	x	10
CASCR107	3700 x 100 - 6mm	3700	x	100	x	6

Vulkollan® is made under licence from Bayer AG

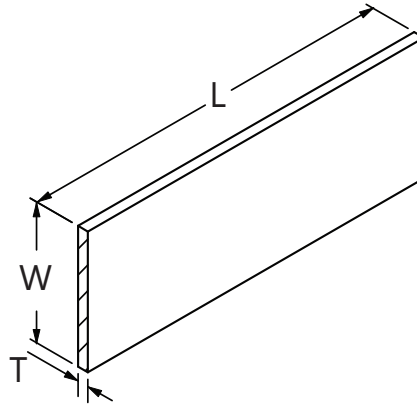
Tel: 01594 847150 | Fax: 01594 843586

web: [www.wattspolyurethane.co.uk](http://www.wattspolyurethane.co.uk) | e-mail: [sales@wattspu.co.uk](mailto:sales@wattspu.co.uk)

BOMAG



# Scraper Blades



Scraper Blades

Part Number	Model	Short Description	Size (mm)				
			L	x	W	x	T
BOMSCR001	75 AD	760 x 105 - 9.5mm	760	x	105	x	9.5
BOMSCR002	80 AD	810 x 120 - 9.5mm	810	x	120	x	9.5
BOMSCR003	90 AD	910 x 105 - 9.5mm	910	x	105	x	9.5
BOMSCR004	100 AD	1005 x 120 - 9.5mm	1005	x	120	x	9.5
BOMSCR005	120 AD	1200 x 125 - 9.5mm	1200	x	125	x	9.5
BOMSCR006	121 AD	1210 x 120 - 9.5mm	1210	x	120	x	9.5
BOMSCR007	130 AD	1265 x 120 - 9.5mm	1265	x	120	x	9.5
BOMSCR008	140 AD	1400 x 125 - 9.5mm	1400	x	125	x	9.5
BOMSCR009	150 AD	1510 x 150 - 9.5mm	1510	x	150	x	9.5
BOMSCR010	154 AD	1650 x 150 - 9.5mm	1650	x	150	x	9.5
BOMSCR011	154 AD	1680 x 150 - 9.5mm	1680	x	150	x	9.5
BOMSCR012	160 AD	1680 x 150 - 9.5mm	1680	x	150	x	9.5
BOMSCR013	161 AD	1680 x 150 - 9.5mm	1680	x	150	x	9.5
BOMSCR014	200 AD	2100 x 150 - 9.5mm	2100	x	150	x	9.5