

## Feed Wheels & Rollers

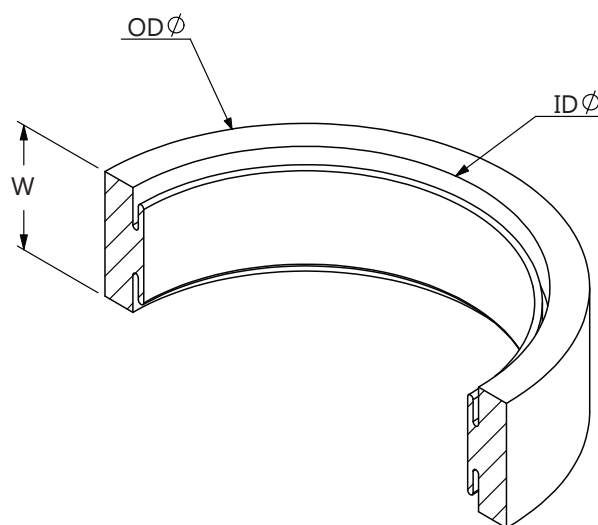


## Engineering Products

Feed wheels and rollers are available in a shore hardness range of 60 Shore 'A' to 95 Shore 'A'. They are also available in Vulkollan®.

Other hardnesses are available, for further details, please contact our sales department to discuss your requirements.

The standard colours available are; red, black, ochre, natural, green, blue, yellow and orange. Although some of these may be subject to additional charges dependant on the grading of the polyurethane.



### Cast Polyurethane

Part Number	Type	Short Description	Dimensions (mm)				
			OD	x	Width	x	ID
CFR001	Isowa/Sun	65 x 16 - 54mm	65.00	x	16.00	x	54.00
CFR002	Isowa/Sun	75 x 20 - 65mm	75.00	x	20.00	x	65.00
CFR003	Isowa/Sun	93 x 25.4 - 80mm	93.00	x	25.00	x	80.00
CFR020	Isowa/Sun	93 x 30 - 80mm	93.00	x	30.00	x	80.00
CFR004	Isowa/Sun	109 x 25 - 90mm	109.00	x	25.00	x	90.00
CFR017	Simon 350	97 x 47 - 49mm	97.00	x	47.00	x	49.00
CFR018	Simon 470	75 x 47 - 40mm	75.00	x	47.00	x	40.00
CFR019	GANDOSSI & FOSSATI	107.5 x 40.5 - 78mm	107.50	x	40.50	x	78.00

### Recovered

Part Number	Type	Short Description	Dimensions (mm)				
			OD	x	Width	x	ID
CFR005	EMBA	60 x 50 - 50mm	60.00	x	50.00	x	50.00
CFR006	EMBA	60.3 x 50 - 50mm	60.30	x	50.00	x	50.00
CFR007	Plain	109 x 25.4 - 91mm	109.00	x	25.40	x	91.00
CFR008	Plain	4.5 x 1.75 - 3.25"	114.30	x	44.45	x	82.55
CFR009	Plain	115 x 48 - 82mm	115.00	x	48.00	x	82.00
CFR010	Plain	115 x 50 - 80mm	115.00	x	80.00	x	80.00
CFR011	Kirby	115 x 120 - 90mm	115.00	x	120.00	x	90.00
CFR012	Plain	120 x 16 - 85mm	120.00	x	16.00	x	85.00
CFR013	Plain	120 x 40 - 94mm	120.00	x	94.00	x	94.00
CFR014	Hertan B	122 x 73 - 50mm	122.00	x	73.00	x	50.00
CFR015	Plain	128 x 45 - 118mm	128.00	x	45.00	x	118.00
CFR016	Hertan T	158.8 x 73 - 75mm	158.80	x	73.00	x	75.00

Vulkollan® is made under licence from Bayer AG