

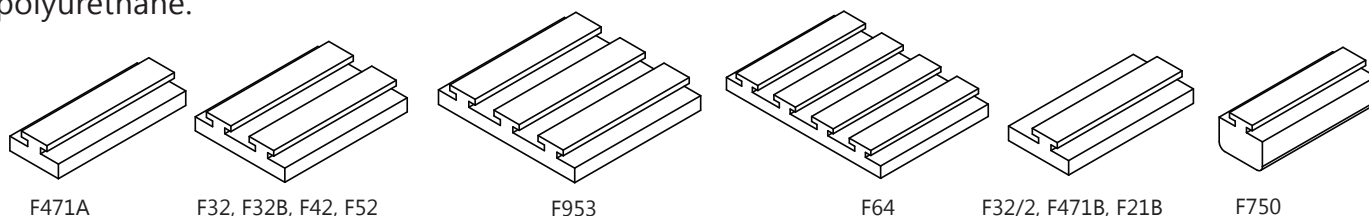
Cast PU Anvils



Engineering Products

Cast PU anvils are available in a shore hardness range of 80 Shore 'A' to 60 Shore 'D'. They are also available in Vulkollan®.

The standard colours available are; red, black, ochre, natural, green, blue, yellow and orange. Although some of these may be subject to additional charges dependant on the grading of the polyurethane.



Part Number	Type	Style	Short Description	Nominal Boss Diameter (ins)	Length Per Half (mm)
CAC001	Anvil Cover	F42	10.75" / 432mm 2T Anvil	10.75"	432
CAC002	Anvil Cover	F32	11" / 440mm 2T Anvil	11"	440
CAC003	Anvil Cover	F32/2	11" / 440mm 1T Anvil	11"	440
CAC004	Anvil Cover	F32B	11" / 440mm 2T Anvil	11"	440
CAC005	Anvil Cover	F42	11" / 440mm 2T Anvil	11"	440
CAC006	Anvil Cover	F52	11" / 440mm 2T Anvil	11"	440
CAC007	Anvil Cover	F64	11" / 435mm 4T Anvil	11"	435
CAC008	Anvil Cover	F750	11" / 440mm 1T Anvil	11"	440
CAC009	Anvil Cover	F953	11" / 410mm 3T Anvil	11"	410
CAC010	Anvil Cover	F471A	12.25" / 488mm 1T Anvil	12.25"	488
CAC011	Anvil Cover	F32/2	13" / 511mm 1T Anvil	13"	511
CAC012	Anvil Cover	F452	13.75" / 500 2T Anvil	13.75"	500
CAC013	Anvil Cover	F52	13.75" / 540mm 2T Anvil	13.75"	540
CAC014	Anvil Cover	F750	14" / 559mm 1T Anvil	14"	559
CAC015	Anvil Cover	F32	14.5" / 585mm 2T Anvil	14.5"	585
CAC016	Anvil Cover	F32	14.5" / 620mm 2T Anvil	14.5"	620
CAC017	Anvil Cover	F32/2	14.5" / 660mm 1T Anvil	14.5"	660
CAC018	Anvil Cover	F42	14.50" / 585mm 2T Anvil	14.5"	585
CAC019	Anvil Cover	F471A	15" / 600mm 1T Anvil	15"	600
CAC020	Anvil Cover	F471B	15" / 600mm 1T Anvil	15"	600
CAC021	Anvil Cover	F750	16" / 639mm 1T Anvil	16"	639
CAC022	Anvil Cover	F21B	19" / 775mm 1T Anvil	19"	775
CAC023	Anvil Cover	F21B	19" / 820mm 1T Anvil	19"	820
CAC024	Anvil Cover	F750	8" / 320mm 1T Anvil	8"	320
CAC025	Anvil Cover	F32	8.25" / 330mm 2T Anvil	8.25"	330
CAC026	Anvil Cover	F32/2	8.25" / 330mm 1T Anvil	8.25"	330
CAC027	Anvil Cover	F750	8.25" / 330mm 1T Anvil	8.25"	330
CAC028	Anvil Cover	EMBA	132391 Anvil Cover	265mm	-
CAC029	Anvil Cover	Split	327 x 305-240 3T Anvil Cover	327mm	-

Vulkollan® is made under licence from Bayer AG

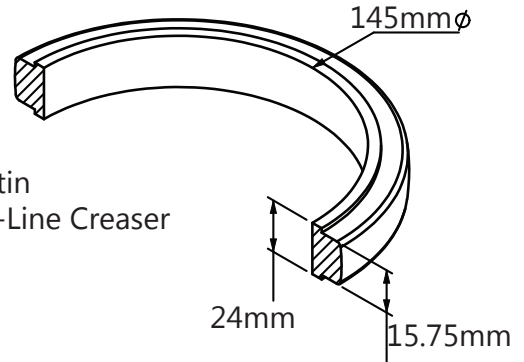
Tel: 01594 847150 | Fax: 01594 843586

web: www.wattspolyurethane.co.uk | e-mail: sales@wattspu.co.uk

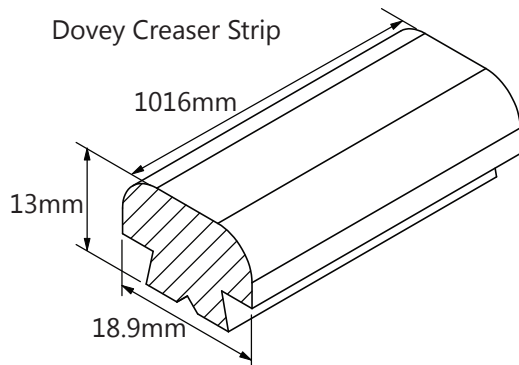


Cast PU creasers are available in a shore hardness range of 80 Shore 'A' to 60 Shore 'D'. They are also available in Vulkollan®.

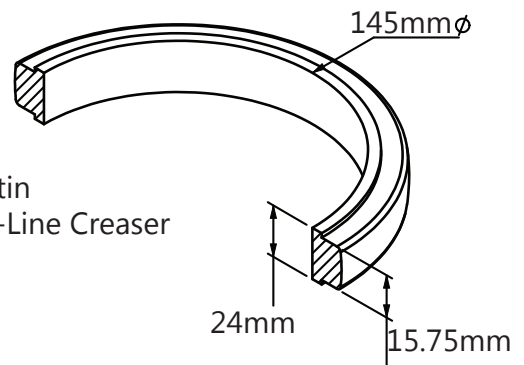
The standard colours available are; red, black, ochre, natural, green, blue, yellow and orange. Although some of these may be subject to additional charges dependant on the grading of the polyurethane.



Martin Mid-Line Creaser



Dovey Creaser Strip



Martin Mid-Line Creaser

Part Number	Type	Description	Dimensions (mm)				
			Height	x	Width	x	Length/ID
CACR001	Mid-Line Creaser (Half)	Martin - 924	15.75	x	24	x	145
CACR002	Pre-Creaser (Full)	Martin - 924	19.7	x	25.4	x	235
CACR003	Creaser Strip	Dovey - 40"	13	x	18.9	x	1016



Recovered anvils and creasers are available in a shore hardness range of 45 Shore 'A' to 60 Shore 'D'. They are also available in Vulkollan®.

The standard colours available are; red, black, ochre, natural, green, blue, yellow and orange. Although some of these may be subject to additional charges dependant on the grading of the polyurethane.

There is the option for all recovered creasers and anvils to be cut to customer specific dimensions.

The products listed are the sizes that we currently supply. If your exact requirement is not listed, please contact us to discuss and also to check for availability.

Please bear in mind prices quoted may be affected by the construction of your wheel centre.

Part Number	Type	Descriptor	Short Description	Dimensions (mm)				
				OD	x	Width	x	ID
SACRC001	Split Anvil/Creaser	Split	110 x 25.5 x 90mm Anvil	110	x	25.5	x	90
SACRC002	Split Anvil/Creaser	Split	110 x 28.5 x 90mm Anvil	110	x	28.5	x	90
SACRC003	Split Anvil/Creaser	Fury	162 x 35 - 146mm Anvil Cover	162	x	35	x	146
SACRC004	Split Anvil/Creaser	Split	185 x 30 x 160mm Creaser	185	x	30	x	160
SACRC005	Split Anvil/Creaser	Split	188 x 30 x 165mm Anvil	188	x	30	x	165
SACRC006	Split Anvil/Creaser	Split	192 x 22.5 - 170mm Ring	192	x	22.5	x	170
SACRC007	Split Anvil/Creaser	Split	215 x 20 - 194mm Anvil	215	x	20	x	194
SACRC008	Split Anvil/Creaser	Split	215 x 26.5 - 192mm Anvil	215	x	26.5	x	192
SACRC009	Split Anvil/Creaser	Split	216 x 21 - 205mm Anvil	216	x	21	x	205
SACRC010	Split Anvil/Creaser	Split	240 x 65 - 220mm Rings	240	x	65	x	220
SACRC011	Split Anvil/Creaser	Split	267 x 22 - 247mm Anvil	267	x	22	x	247
SACRC013	Split Anvil/Creaser	Split	406 x 27 - 383mm Creaser	406	x	35	x	383



Part Number	Type	Descriptor	Short Description	Dimensions (mm)				
				OD	x	Width	x	ID
CACR001	Creaser	Split	108 x 67 - 94mm Split Creaser	108	x	67	x	94
CACR002	Creaser	Split	108 x 87 - 94mm Split Creaser	108	x	87	x	94
CACR003	Creaser	Split	110 x 25.5 x 90mm Split Anvil	110	x	25.5	x	90
CACR004	Creaser	Split	110 x 28.5 x 90mm Split Anvil	110	x	28	x	90
CACR005	Creaser	Plain	5.375 x 0.75 - 4.5625" 2-ZLG-59351	136.525	x	19.05	x	117.47
CACR006	Creaser	Plain	5.456 x 0.75 - 4.625" 2-701-51000	138.58	x	19.05	x	117.47
CACR007	Creaser	Split	150mm O/D KLETT Split Creaser	150	x		x	
CACR008	Creaser	Plain	155 x 20 - 140mm Creaser 1895	155	x	20	x	140
CACR009	Creaser	Plain	160 x 20 x 143mm	160	x	20	x	143
CACR010	Creaser	Split	160 x 17 x 145mm Split Creaser	160	x	17	x	145
CACR011	Creaser	Plain	185 x 30 x 160mm	185	x	30	x	160
CACR012	Creaser	Split	188 x 30 x 165mm Split Anvil	188	x	30	x	165
CACR013	Creaser	Split	198 x 20 - 190mm Split Boss	198	x	20	x	190
CACR014	Creaser	Split	215 x 20 x 194mm Split Anvil	215	x	20	x	194
CACR015	Creaser	Split	215 x 26.5 x 192mm Split Anvil	215	x	26.5	x	192
CACR016	Creaser	Split	216 x 21 x 205mm Split Anvil	216	x	21	x	205
CACR017	Creaser	Plain	8.562 x 0.75 - 7.5" = 9019	217.47	x	19.05	x	190.5
CACR018	Creaser	Plain	218 x 93 -191mm 2-ZLG 5340g	218	x	93	x	191
CACR019	Creaser	Plain	220 x 20 - 200mm	220	x	20	x	200
CACR020	Creaser	Split	267 x 22 x 247mm Split Anvil	267	x	22	x	247
CACR021	Creaser	Plain	12.812 x 0.75 - 11.625" 51005	325.42	x	19.05	x	295.275
CACR022	Creaser	Plain	12.812 x 2 - 11.625" 51028	325.42	x	50.8	x	295.275
CACR023	Creaser	Split	360 x 60 - 335mm Split Boss	360	x	60	x	335
CACR024	Creaser	Split	406 x 27 x 383mm Creaser Anvil	406	x	27	x	383



Part Number	Type	Descriptor	Short Description	Dimensions (mm)				
				OD	x	W	x	ID
CACR025	EMBA	Plain	108.5 x 21mm Creaser	108.5	x	21	x	
CACR026	EMBA	Plain	108.5 x 26mm Creaser	108.5	x	26	x	
CACR027	EMBA	Crowned	109.15 x 19 - 100mm Creaser	109.15	x	19	x	100
CACR028	EMBA	Plain	109.15 x 19 - 100mm Creaser	109.15	x	19	x	100
CACR029	EMBA	Plain	109.15 x 41 - 100mm Creaser	109.15	x	41	x	100
CACR030	EMBA	Plain	110 x 19 - 90mm Creaser	110	x	19	x	90
CACR031	EMBA	Plain	110 x 40 - 95mm Creaser	110	x	40	x	95
CACR032	EMBA	Plain	110 x 40mm Creaser	110	x	40	x	
CACR033	EMBA	Castle	111 x 19 - 90mm Creaser Castle	111	x	19	x	90
CACR034	EMBA	Crowned	111 x 41 - 100mm Creaser	111	x	41	x	100
CACR035	EMBA	Plain	111 x 19 - 90mm Creaser	111	x	19	x	90
CACR036	EMBA	Plain	111 x 41 - 90mm Creaser	111	x	41	x	90
CACR037	EMBA	Plain	111 x 45 - 90mm Creaser	111	x	45	x	90
CACR038	EMBA	Castle	114.5 x 19 - 100mm Creaser	114.5	x	19	x	100
CACR039	EMBA	Plain	114.5 x 19 - 100mm Creaser	114.5	x	19	x	100
CACR040	EMBA	Plain	114.5 x 41 - 100mm Creaser	114.5	x	41	x	100
CACR041	S&S	Plain Creaser	2-ZLG-51252-0-B	152.4	x	25.4	x	101.6
CACR042	S&S	Plain Creaser	6.406 x 3-5" = P/N-53197	162.71	x	76.2	x	127
SACRC014	Bizzozero	Split Anvil/Creaser	162 x 35 - 146mm Anvil Cover	162	x	35	x	146
SACRC015	Bizzozero	Split Anvil/Creaser	162 x 35 - 146mm Stitch Flap Anvil	162	x	35	x	146
SACRC016	Bizzozero	Split Anvil/Creaser	162 x 35 - 146mm Anvil	162	x	35	x	146
SACRC017	Bizzozero	Split Anvil/Creaser	162 x 35 - 146mm Stitch Flap Anvil	162	x	35	x	146
SACRC012	TECASA	Split Anvil/Creaser	240 x 60 - 218mm Split Boss	240	x	60	x	218
SACRC018	TECASA	Split Anvil/Creaser	240 x 60 - 218mm Split Boss	240	x	60	x	218