

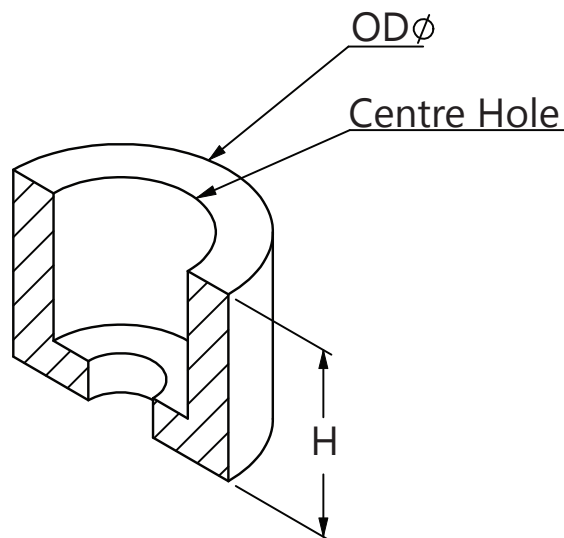
Strippers



Engineering Products

Strippers are available in a shore hardness range of 80 Shore 'A' to 95 Shore 'A'. They are also available in Vulkollan®.

The standard colours available are; red, black, ochre, natural, green, blue, yellow and orange. Although some of these may be subject to additional charges dependant on the grading of the polyurethane.



Part Number	Short Description	Dimensions (mm)				Centre Hole
		OD	x	H	x	
CSTR001	Stripper WA0728-130-007	20	x	63	x	8
CSTR002	Stripper WA0728-070-007	18	x	58	x	3
CSTR003	Stripper WA0728-090-007	20	x	52	x	3
CSTR004	Stripper WA0728-100-007	20	x	83	x	3
CSTR005	Stripper WA0728-070-008	30	x	58	x	3
CSTR006	Stripper WA0728-100-008	45	x	83	x	3
CSTR007	Stripper WA0728-110-010	20	x	58	x	3
CSTR008	Stripper WA0728-080-010	20	x	58	x	3
CSTR009	Stripper WA0728-110-011	32	x	58	x	3
CSTR010	Stripper WA0728-080-011	45	x	58	x	3
CSTR011	Stripper WA0728-120-013		x	63	x	3

Vulkollan® is made under licence from Bayer AG



Part Number	Type	Short Description	Dimensions (mm)				
			OD	x	H	x	Centre Hole
CSTR012	F1000	F1000 Stripper	50.4	x	76.2	x	25.4
CSTR013	F1250	F1250 Stripper	50.4	x	76.2	x	31.75
CSTR014	F187	F187 Stripper	17.425	x	38.1	x	4.7625
CSTR015	F250	F250 Stripper	19.05	x	50.8	x	6.35
CSTR016	F312	F312 Stripper	20.6375	x	50.8	x	3.365
CSTR017	F375	F375 Stripper	22.22	x	50.8	x	22.25
CSTR018	F500	F500 Stripper	25.4	x	57.15	x	12.7
CSTR019	F562	F562 Stripper	31.75	x	57.15	x	14.28
CSTR020	F625	F625 Stripper	31.75	x	57.15	x	15.875
CSTR021	F750	F750 Stripper	38.1	x	76.2	x	19.05
CSTR022	F875	F875 Stripper	44.45	x	76.2	x	22.25
CSTR023	M04	M04 Stripper	17	x	40	x	4
CSTR024	M05	M05 Stripper	18	x	50	x	5
CSTR025	M06	M06 Stripper	19	x	65	x	6
CSTR026	M08	M08 Stripper	21	x	70	x	8
CSTR027	M10	M10 Stripper	23	x	70	x	10
CSTR028	M13	M13 Stripper	26	x	70	x	13
CSTR029	M16	M16 Stripper	30	x	70	x	16
CSTR030	M19	M19 Stripper	38	x	70	x	19
CSTR031	M20	M20 Stripper	38	x	70	x	20
CSTR032	M25	M25 Stripper	50	x	70	x	25
CSTR033	M35	M35 Stripper	51	x	52	x	35
CSTR034	No2	No2 Stripper (F250)	19.05	x	50.8	x	6.35
CSTR035	No4	No4 Stripper (F375)	22.22	x	50.8	x	9.525
CSTR036	No5	No5 Stripper (F500)	25.4	x	57.15	x	12.7
CSTR037	No6	No6 Stripper (F625)	31.75	x	57.15	x	15.875
CSTR038	No7	No7 Stripper (F750)	38.1	x	76.2	x	19.05
CSTR039	No9	No9 Stripper (F1000)	50.4	x	76.2	x	25.4