

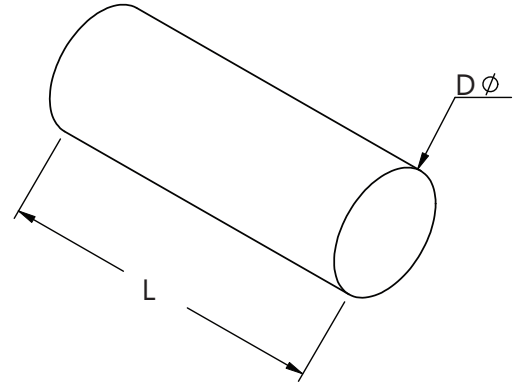


Rods are available in a shore hardness range of 45 Shore 'A' to 60 Shore 'D'. They are also available in Vulkollan®.

The standard colours available are; red, black, ochre, natural, green, blue, yellow and orange. Although some of these may be subject to additional charges dependant on the grading of the polyurethane.

There is the option for all rods to be cut to customer specific sizes from the longer lengths.

The products listed are the standard sizes that we offer. If your exact requirement is not listed, please contact us to discuss your requirements and to check for availability.



Part Number	Short Description	Dimensions (mm)		
		D	x	L
CR001	5 x 305mm	5	x	305
CR002	6 x 160mm	6	x	160
CR003	8 x 305mm	8	x	305
CR004	9.5 x 305mm	9.5	x	305
CR005	0.375 x 12"	9.525	x	304.8
CR006*	10 x 305mm	10	x	304.8
CR007*	12.5 x 305mm	12.5	x	304.8
CR008*	12.7 x 305mm	12.7	x	305
CR009	14 x 90mm	14	x	305
CR010	0.625 x 12"	15.875	x	304.8
CR011	16 x 305mm	16	x	305
CR012	17 x 300mm	17	x	300
CR013	19 x 305mm	19	x	305
CR014	0.75 x 12"	19.05	x	304.8
CR015	20 x 305mm	20	x	305
CR016	22 x 305mm	22	x	305
CR017	0.875 x 12"	22.225	x	304.8
CR018	25 x 305mm	25	x	305
CR019	25 x 1000mm	25	x	1000
CR020	1 x 12"	25.4	x	304.8

* - The Vulkollan® option for these part numbers are only available in lengths of 150mm

Vulkollan® is made under licence from Bayer AG



Part Number	Short Description	Dimensions (mm)		
		D	x	L
CR021	28 x 305mm	28	x	305
CR022	30 x 1000mm	30	x	1000
CR023	1.25 x 12"	31.75	x	304.8
CR024	32 x 305mm	32	x	305
CR025	35 x 1000mm	35	x	1000
CR026	38 x 305mm	38	x	305
CR027	1.5 x 12"	38.1	x	304.8
CR028	40 x 300mm	40	x	300
CR029	40 x 1000mm	40	x	1000
CR030	44 x 305mm	44	x	305
CR031	1.75 x 12"	44.45	x	304.8
CR032	44.5 x 305mm	44.5	x	305
CR033	50 x 305mm	50	x	305
CR034	50 x 400mm	50	x	400
CR035	50 x 500mm	50	x	500
CR036	50 x 1000mm	50	x	1000
CR037	2 x 12"	50.8	x	304.8
CR038	51 x 305mm	51	x	305
CR039	60 x 1000mm	60	x	1000
CR040	63 x 400mm	63	x	400
CR041	63.5 x 305mm	63.5	x	305
CR042	64 x 305mm	64	x	305
CR043	66 x 750mm	66	x	750
CR044	69 x 300mm	69	x	300
CR045	70 x 300mm	70	x	300
CR046	76 x 305mm	76	x	305
CR047	76 x 400mm	76	x	400
CR048	3 x 12"	76.2	x	304.8
CR049	80 x 400mm	80	x	400
CR050	80 x 1000mm	80	x	1000
CR051	3.5 x 12"	88.9	x	304.8
CR052	3.75 x 12"	95.25	x	304.8
CR053	100 x 300mm	100	x	300
CR054	100 x 400mm	100	x	400
CR055	4 x 12"	101.6	x	304.8
CR056	108 x 457mm	108	x	457
CR057	120 x 1000mm	120	x	1000
CR058	127 x 305mm	127	x	305

Rods



Engineering Products

Part Number	Short Description	Dimensions (mm)		
		D	x	L
CR059	5.25 x 18"	133.35	x	457.2
CR060	140 x 300mm	140	x	300
CR061	150 x 300mm	150	x	300
CR062	6 x 12"	152.4	x	304.8
CR063	166 x 310mm	166	x	310
CR064	200 x 300mm	200	x	300
CR066	9 x 6"	228.6	x	152.4

Cord



Cord is available in the following diameters; 1mm, 1.5mm, 2mm, 2.5mm, 3mm, 4mm and 5mm.

Please contact our sales department for our hardness and colour ranges.

Please note that minimum order quantities may be applicable.

Prices are available upon application.

Part Number	Short Description	Dimensions (mm)
		Diameter
CCO001	1mm Cord	1
CCO002	1.5mm Cord	1.5
CCO003	2mm Cord	2
CCO004	2.5mm Cord	2.5
CCO005	3mm Cord	3
CCO006	4mm Cord	4
CCO007	5mm Cord	5

Vulkollan® is made under licence from Bayer AG

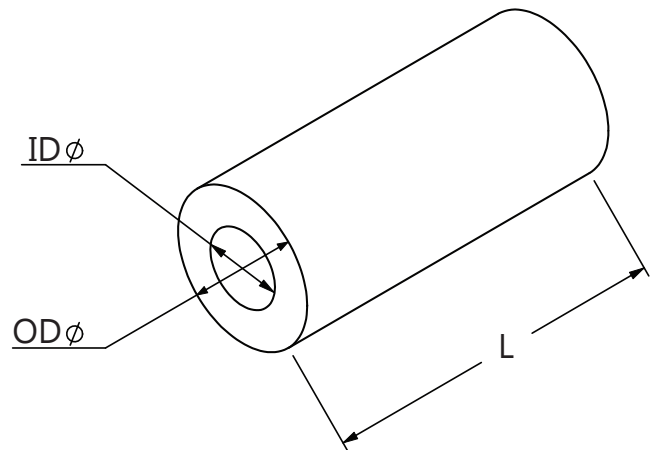


Tubes and springs are available in a shore hardness range of 45 Shore 'A' to 60 Shore 'D'. They are also available in Vulkollan®.

The standard colours available are; red, black, ochre, natural, green, blue, yellow and orange. Although some of these may be subject to additional charges dependant on the grading of the polyurethane.

There is the option for all tubes and springs to be cut to customer specific sizes from the longer lengths.

The products listed are the standard sizes that we offer. If your exact requirement is not listed, please contact us to discuss your requirements and to check for availability.



We are also able to utilise the isostatic open ended round iso-bag moulds to manufacture tubes.

Part Number	Short Description	Dimensions (mm)				
		ID	x	OD	x	L
CTS001	6.5 x 16 - 150mm	6.5	x	16	x	150
CTS002	8.5 x 20 - 300mm	8.5	x	20	x	300
CTS003	8.5 x 25 - 300mm	8.5	x	25	x	300
CTS004	8.5 x 32 - 300mm	8.5	x	32	x	300
CTS005	8.5 x 19 - 300mm	9.5	x	19	x	300
CTS006	9.5 x 20 - 300mm	9.5	x	20	x	300
CTS007	9.5 x 25 - 300mm	9.5	x	25	x	300
CTS008	9.5 x 25 - 360mm	9.5	x	25	x	360
CTS009	9.5 x 40 - 300mm	9.5	x	40	x	300
CTS010	10.5 x 25 - 300mm	10.5	x	25	x	300
CTS011	12 x 25 - 300mm	12	x	25	x	300
CTS012	12.5 x 25 - 300mm	12.5	x	25	x	300
CTS013	13.5 x 32 - 300mm	13.5	x	32	x	300
CTS014	13.5 x 40 - 300mm	13.5	x	40	x	300
CTS015	13.5 x 44 - 300mm	13.5	x	44	x	300
CTS016	0.625 x 1.25 - 12"	15.9	x	31.8	x	304.8
CTS017	16 x 25 - 300mm	16	x	25	x	300
CTS018	17 x 50 - 240mm	17	x	50	x	240
CTS019	17 x 63 - 400mm	17	x	63	x	400



Part Number	Short Description	Dimensions (mm)				
		ID	x	OD	x	L
CTS020	19 x 40 - 430mm	19	x	40	x	430
CTS021	19 x 50 - 400mm	19	x	50	x	400
CTS022	21 x 40 - 300mm	21	x	40	x	300
CTS023	80 x 21 - 400mm	21	x	80	x	400
CTS024	21 x 100 - 400mm	21	x	100	x	400
CTS025	23 x 50 - 400mm	23	x	50	x	400
CTS026	24 x 125 - 400mm	24	x	125	x	400
CTS027	25 x 50 - 400mm	25	x	50	x	400
CTS028	25 x 80 - 500mm	25	x	80	x	500
CTS029	26 x 63 - 400mm	26	x	63	x	400
CTS030	26 x 63 - 400mm	26	x	63	x	400
CTS031	27 x 125 - 400mm	27	x	125	x	400
CTS032	32 x 80 x 400mm	32	x	80	x	400
CTS033	33.75 x 95.7 - 430mm	33.75	x	95.7	x	430
CTS034	40 x 63 - 400mm	40	x	63	x	400
CTS035	40 x 100 - 400mm	40	x	100	x	400
CTS036	43.2 x 50 - 300mm	43.2	x	50	x	300
CTS037	44.4 x 95.7 - 430mm	44.4	x	95.7	x	430
CTS038	2 x 2.25 - 18"	50.8	x	57.15	x	457.2
CTS039	59.1 x 72 - 339mm	59.1	x	72	x	339
CTS040	59.7 x 72 - 339mm	59.7	x	72	x	339
CTS041	62.5 x 74.9 - 450mm	62.5	x	74.9	x	450
CTS042	70 x 127 - 457mm	70	x	127	x	457
CTS043	76.6 x 95 - 1000mm	76.6	x	95	x	1000
CTS044	100 x 120 - 500mm	100	x	120	x	500



Part Number	Short Description	Dimensions (mm)				
		OD	x	Height	x	ID
CTSPR001	7/8 x 3/8 x 2" Spring	22.2	x	50.8	x	9.525
CTSPR002	25 x 15 x 10mm Spring	25	x	15	x	10
CTSPR003	25 x 18 x 10mm Spring	25	x	18	x	10
CTSPR004	25 x 20 x 10mm Spring	25	x	20	x	10
CTSPR005	25 x 25 x 10mm Spring	25	x	25	x	10
CTSPR006	30 x 16 x 20mm Tube	30	x	20	x	16
CTSPR007	30 x 16 x 25mm Tube	30	x	25	x	16
CTSPR008	30 x 16 x 30mm Tube	30	x	30	x	16
CTSPR009	32 x 63 x 13.5mm Spring	32	x	63	x	13.5
CTSPR010	50 x 50 x 17mm Spring	50	x	50	x	17
CTSPR011	50 x 38 x 26mm Spring	50	x	38	x	26
CTSPR012	2 x 2.479 - 1.03125" Spring	50.8	x	62.9	x	26.19
CTSPR013	2 x 1.604 - 1.03125" Spring	50.8	x	40.74	x	40.74
CTSPR014	80 x 21 - 145mm Spring	80	x	145	x	21
CTSPR015	80 x 21 - 145mm Spring	80	x	145	x	21
CTSPR016	21 x 100 x 100mm Spring	100	x	100	x	21